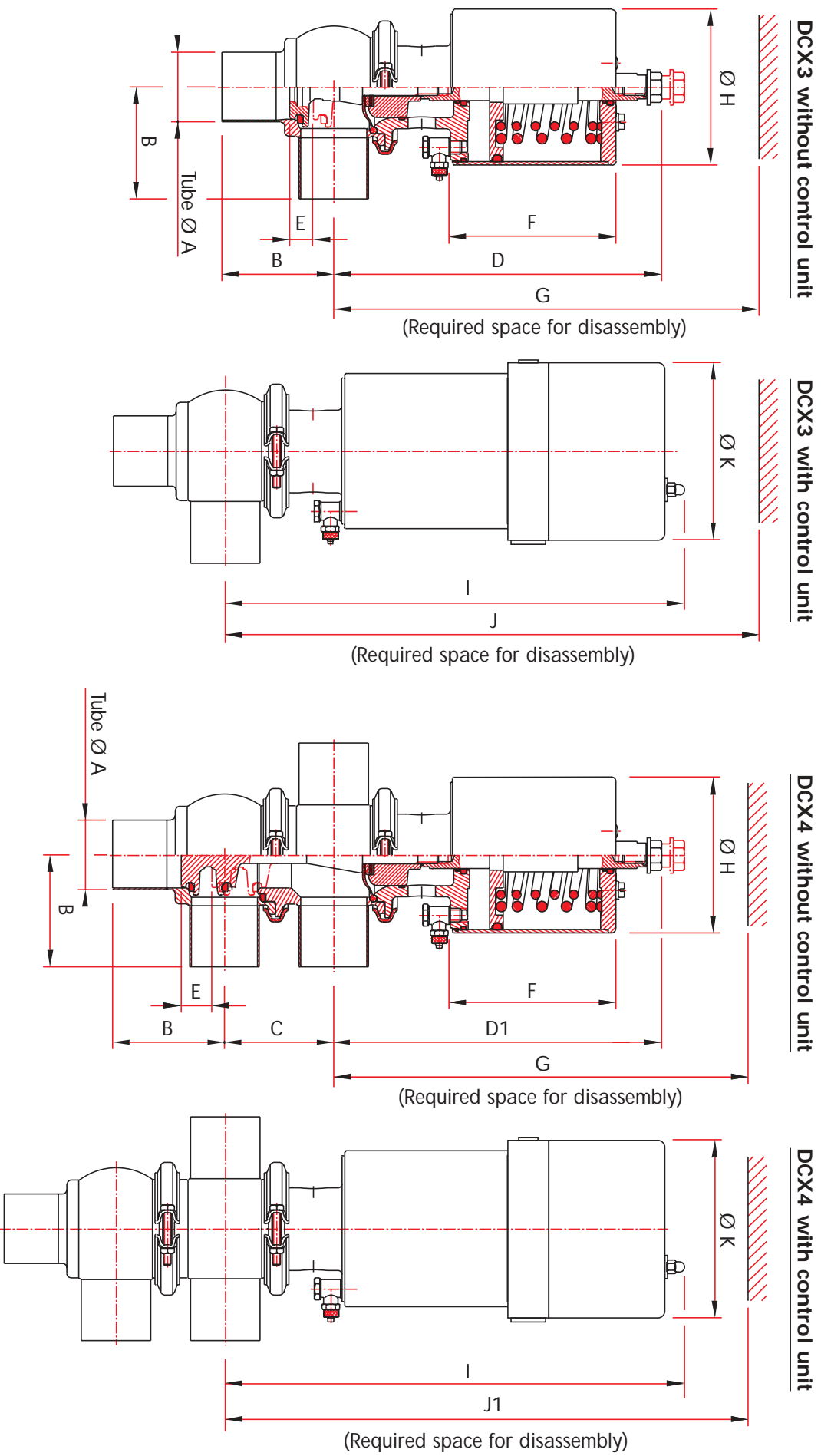


DCX3 - DCX4 changeover valves options



Automated DCX3 - DCX4 diaphragm changeover valves



DCX3 - DCX4 changeover valves options

ITDFX101 GB - REV 1 - MAY 2002

Automated DCX3 - DCX4 diaphragm changeover valves

SMS	DN		Tube Ø A	B	C	D	D1	Stroke E	F	G	Ø H	Weight in kg DCX3*	Weight in kg DCX4*	I	J	J1	Ø K
	DIN	US															
25			25 x 1,2	55	55	198	195	11	109,5	245	89	4,5	5,5	300	335	340	130
			25,4 x 1,65	51	82,5	198	195	11	109,5	245	89	4,5	5,5	300	335	340	130
		1"	28 x 1	55	55	198	195	11	109,5	245	89	4,5	5,5	300	335	340	130
			34 x 1	55	65	203	200	11	109,5	255	89	4,5	5,5	305	345	350	130
38			38 x 1,2	70	70	204	201	11	109,5	265	89	4,5	5,5	307	360	365	130
			38,1 x 1,65	57	82,5	204	201	11	109,5	265	89	4,5	5,5	307	360	365	130
		1"1/2	40 x 1	70	70	204	201	11	109,5	265	89	4,5	5,5	307	360	365	130
			50,8 x 1,65	76	95	239	236	17	123	310	114	7,5	9,5	336	390	395	130
51			51 x 1,2	82	80	239	236	17	123	310	114	7,5	9,5	336	390	395	130
			53 x 1,5	80	80	239	236	17	123	310	114	7,5	9,5	336	390	395	130
		2"1/2	63,5 x 1,65	76	108	286	283	25	159	370	167	17	21	386	445	450	130
63			63,5 x 1,6	105	95	286	283	25	159	370	167	17	21	386	445	450	130
			70 x 2	108	100	289	286	25	159	385	167	17	21	388	460	465	130
		65	76 x 1,65	82	120	292	289	25	159	390	167	17	22	392	465	470	130
		3"	76 x 2	110	105	292	289	25	159	390	167	17	22	392	465	470	130
76			85 x 2	115	130	333,5	330,5	35	181	445	216	28	29	433	510	515	130
		80	101,6 x 2,1	130	165	342,5	339,5	35	181	475	216	29	41	442	540	545	130
		4"	104 x 2	130	150	342,5	339,5	35	181	475	216	29	41	442	540	545	130
104			104 x 2	130	150	342,5	339,5	35	181	475	216	29	41	442	540	545	130

* Without control unit

Design

It is possible to equip the DCX3 - DCX4 with a PTFE (PolyTetraFluor Ethylene) diaphragm that forms a physical barrier between the inside of the valve and the outside environment.

This valve, which is the same size as the base valve, is equipped with a leakage indicator to warn of a possible diaphragm rupture.

A standard valve can be converted to a diaphragm valve by changing the plug and actuator. The stroke on these valves is slightly

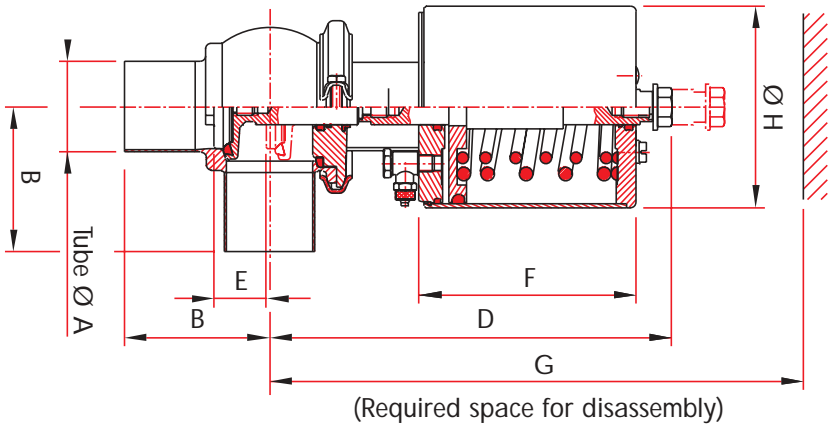
shorter than on a standard DCX valve.

DCX3 - DCX4 changeover valves options

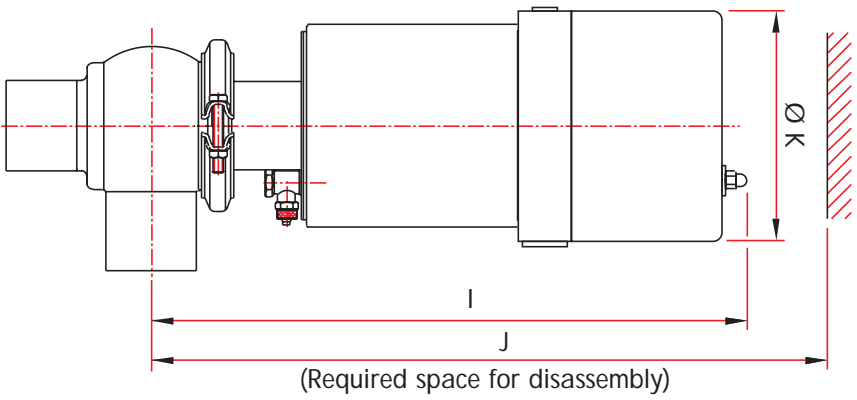


Automated DCX3 - DCX4 elastomer sealing changeover valves

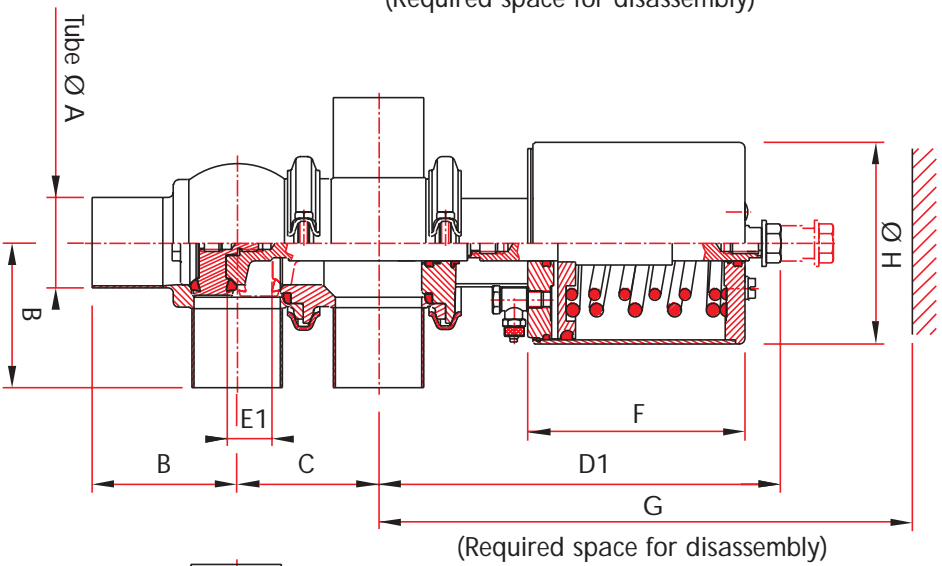
DCX3 without control unit



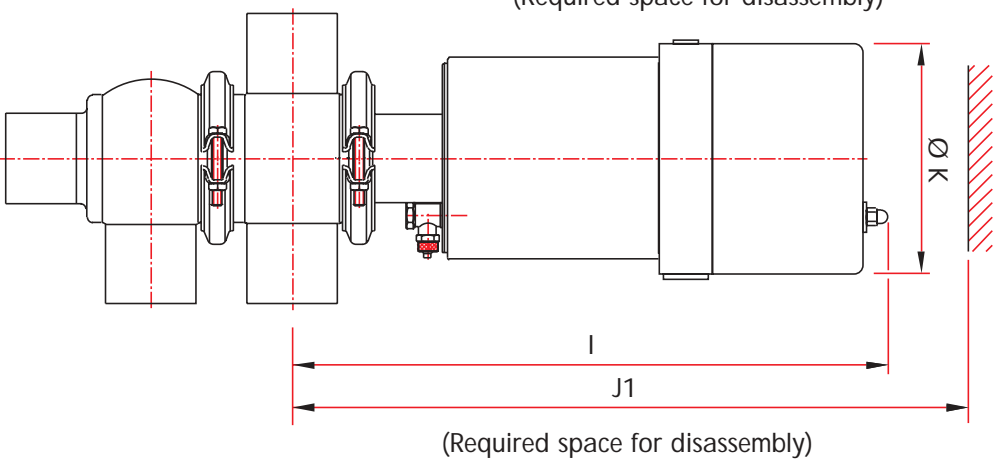
DCX3 with control unit



DCX4 without control unit



DCX4 with control unit



DCX3 - DCX4 changeover valves options

ITDFX101 GB - REV 1 - MAY 2002

Automated DCX3 - DCX4 elastomer sealing changeover valves

SMS	DN		Tube Ø A	B	C	D	D 1	Stroke E	Stroke E1	F	G	Ø H	Weight in kg DCX3*	Weight in kg DCX4*	I	J	J1	Ø K
	DIN	US																
25			25 x 1,2	55	55	193	192	17	14	109,5	240	89	4	5	300	330	330	130
		1"	25,4 x 1,65	51	82,5	192	192	17	14	109,5	240	89	4	5	300	330	330	130
	25		28 x 1	55	55	192	192	17	14	109,5	240	89	4	5	300	330	330	130
			34 x 1	55	65	197	194	17	17	109,5	250	89	4	5	305	340	340	130
38			38 x 1,2	70	70	195	195	21	18	109,5	255	89	4	5	307	345	345	130
		1"1/2	38,1 x 1,65	57	82,5	195	195	21	18	109,5	255	89	4	5	307	345	345	130
	40		40 x 1	70	70	195	195	21	18	109,5	255	89	4	5	307	345	345	130
		2"	50,8 x 1,65	76	95	224	225	29	27	123	300	114	7	9	336	380	385	130
51			51 x 1,2	82	80	224	225	29	27	123	300	114	7	9	336	380	385	130
	50		53 x 1,5	80	80	224	225	29	27	123	300	114	7	9	336	380	385	130
		2"1/2	63,5 x 1,65	76	108	276	275	35	32	159	360	167	16	20	386	435	440	130
63			63,5 x 1,6	105	95	276	275	35	32	159	360	167	16	20	386	435	440	130
	65		70 x 2	108	100	277	277	35	31	159	370	167	16	20	388	445	445	130
		3"	76 x 1,65	82	120	281	280	35	32	159	375	167	16	21	392	455	455	130
76			76 x 2	110	105	281	280	35	32	159	375	167	16	21	392	455	455	130
	80		85 x 2	115	130	324	327	40	36	181	440	216	27	28	433	505	510	130
		4"	101,6 x 2,1	130	165	333	335	40	35	181	470	216	28	40	442	535	540	130
104			104 x 2	130	150	333	335	40	35	181	470	216	28	40	442	535	540	130
	100		104 x 2	130	150	333	335	40	35	181	470	216	28	40	442	535	540	130

* Without control unit

Design

The plug may be fitted with an elastomer (fluorated elastomer (FKM), silicone, EPDM) seal. This variant is recommended if the circulating fluid contains hard particles that may be trapped between the plug seal and the seat.

This plug (composed of several parts) is directly interchangeable with the standard valve equipped with a PFA floating seal.

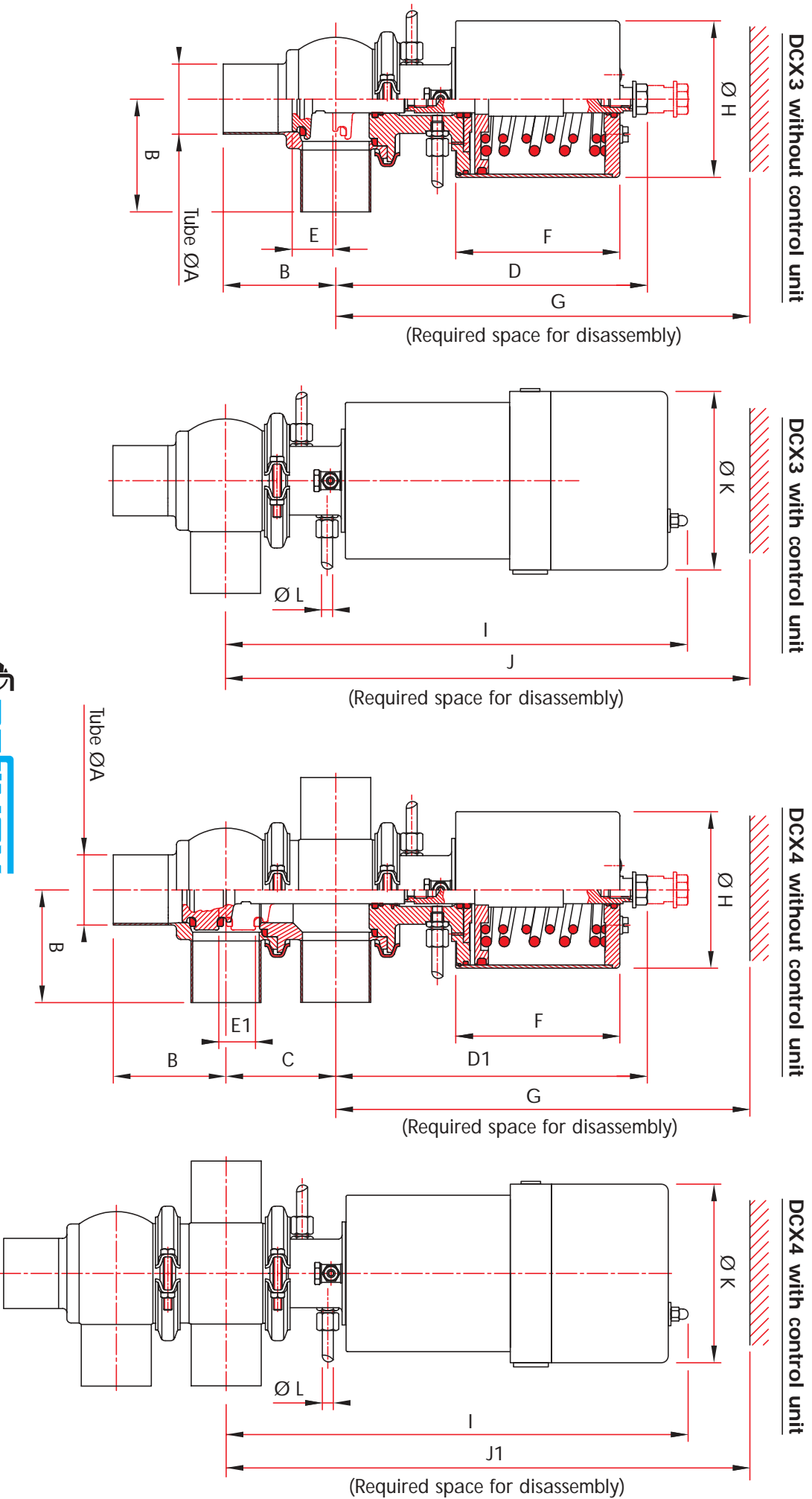
The sealing characteristics are retained although the type of seal used determines the temperature and chemical resistance limits of the valve.



DCX3 - DCX4 changeover valves options



Automated DCX3 - DCX4 changeover valves with aseptic guide bearing



DCX3 - DCX4 changeover valves options

ITDFX101 GB - REV 1 - MAY 2002

Automated DCX3 - DCX4 changeover valves with aseptic guide bearing

SMS	DN		Tube Ø A	B	C	D	D1	Stroke E	Stroke E1	F	G	Ø H	Weight in kg DCX3*	Weight in kg DCX4*	I	J	J1	Ø K	Ø L
	DIN	US																	
25			25 x 1,2	55	55	193	192	17	14	109,5	240	89	4,5	5,5	300	330	330	130	6/8
		1"	25,4 x 1,65	51	82,5	192	192	17	14	109,5	240	89	4,5	5,5	300	330	330	130	6/8
	25		28 x 1	55	55	192	192	17	14	109,5	240	89	4,5	5,5	300	330	330	130	6/8
		32	34 x 1	55	65	197	194	17	17	109,5	250	89	4,5	5,5	305	340	340	130	6/8
38			38 x 1,2	70	70	195	195	21	18	109,5	255	89	4,5	5,5	307	345	345	130	6/8
		1"1/2	38,1 x 1,65	57	82,5	195	195	21	18	109,5	255	89	4,5	5,5	307	345	345	130	6/8
	40		40 x 1	70	70	195	195	21	18	109,5	255	89	4,5	5,5	307	345	345	130	6/8
		2"	50,8 x 1,65	76	95	224	225	29	27	123	300	114	7,5	9,5	336	380	385	130	6/8
51			51 x 1,2	82	80	224	225	29	27	123	300	114	7,5	9,5	336	380	385	130	6/8
	50		53 x 1,5	80	80	224	225	29	27	123	300	114	7,5	9,5	336	380	385	130	6/8
		2"1/2	63,5 x 1,65	76	108	276	275	35	32	159	360	167	17	21	386	435	440	130	6/8
63			63,5 x 1,6	105	95	276	275	35	32	159	360	167	17	21	386	435	440	130	6/8
	65		70 x 2	108	100	277	277	35	31	159	370	167	17	21	388	445	445	130	6/8
		3"	76 x 1,65	82	120	281	280	35	32	159	375	167	17	22	392	455	455	130	6/8
76			76 x 2	110	105	281	280	35	32	159	375	167	17	22	392	455	455	130	6/8
	80		85 x 2	115	130	324	327	40	36	181	440	216	29	39	433	505	510	130	6/8
		4"	101,6 x 2,1	130	165	333	335	40	35	181	470	216	30	42	442	535	540	130	6/8
104			104 x 2	130	150	333	335	40	35	181	470	216	30	42	442	535	540	130	6/8
	100		104 x 2	130	150	333	335	40	35	181	470	216	30	42	442	535	540	130	6/8

* Without control unit

Design

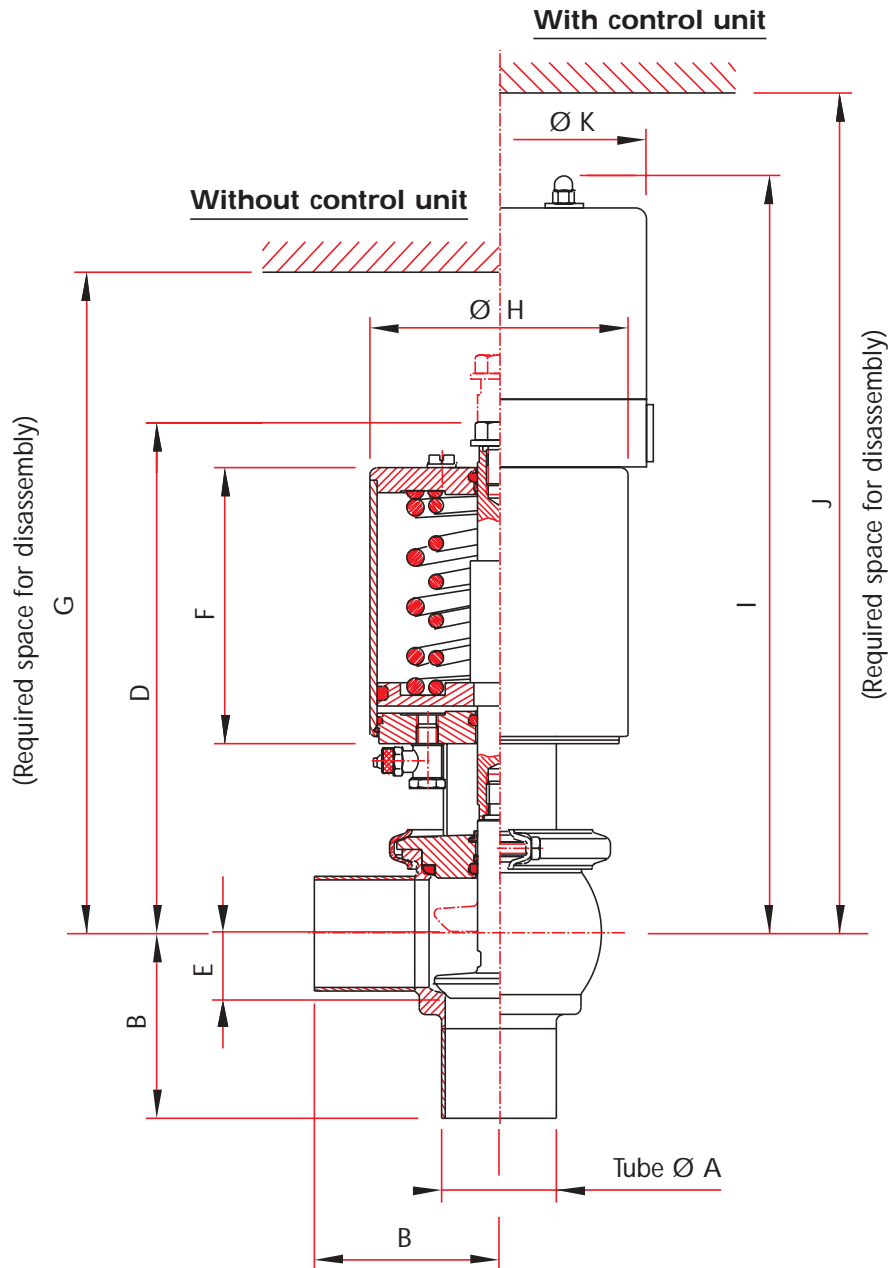
The DCX3 - DCX4 can be fitted with an aseptic guide bearing which steam or fluid (washing - rinsing) circulates through to clean

the parts of the plug, which come into contact with the outside environment on the valve outstroke. When the valve closes, the stem in

contact with the outside environment is sterilised before penetrating the valve body.

DCX3 - DCX4 changeover valves options

Automated DCX3 changeover valve metal/metal sealing



Design

In certain specific cases (abrasive products), it may be necessary to remove the seals and provide a tight metal-on-metal contact. This alteration requires special

manufacturing and a plug and body pairing. (Please consult us regarding this type of application).

DCX3 - DCX4 changeover valves options

ITDFX101 GB - REV 1 - MAY 2002

Automated DCX3 changeover valve metal/metal sealing

DN			Tube Ø A	B	D	Stroke E	F	G	Ø H	Weight in kg*	I	J	Ø K
SMS	DIN	US											
25			25 x 1,2	55	193	17	109,5	240	89	4	300	330	130
			25,4 x 1,65	51	192	17	109,5	240	89	4	300	330	130
		1"	28 x 1	55	192	17	109,5	240	89	4	300	330	130
			34 x 1	55	197	17	109,5	250	89	4	305	340	130
38			38 x 1,2	70	195	21	109,5	255	89	4	307	345	130
			38,1 x 1,65	57	195	21	109,5	255	89	4	307	345	130
		1"1/2	40 x 1	70	195	21	109,5	255	89	4	307	345	130
		2"	50,8 x 1,65	76	224	29	123	295	114	7	336	380	130
51			51 x 1,2	82	224	29	123	295	114	7	336	380	130
			53 x 1,5	80	224	29	123	295	114	7	336	380	130
		2"1/2	63,5 x 1,65	76	276	35	159	360	167	16	386	435	130
63			63,5 x 1,6	105	276	35	159	360	167	16	386	435	130
			70 x 2	108	277	35	159	370	167	16	388	445	130
		3"	76 x 1,65	82	281	35	159	375	167	16	392	455	130
76			76 x 2	110	281	35	159	375	167	16	392	455	130
			85 x 2	115	324	40	181	435	216	27	433	505	130
		4"	101,6 x 2,1	130	333	40	181	465	216	28	442	535	130
104			104 x 2	130	333	40	181	465	216	28	442	535	130
			104 x 2	130	333	40	181	465	216	28	442	535	130

* Without control unit

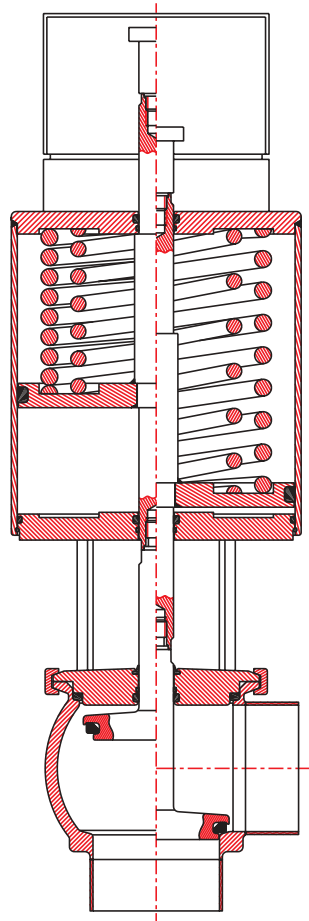
Automated DCX3 long stroke changeover valve

The DCX3 has a plug stroke which, when fully open, guarantees a fluid flow area in excess of the nominal tube section.

However, the fact that the plug is present in the fluid stream restricts the use of this valve as a number of fibrous or fragile products cannot accept the presence of an obstacle. The "long stroke" DCX3 valve provides maximum plug clearance

and thereby avoids fluid break-up and the trapping of fibres in suspension.

Using the standard DCX3 body and possessing similar characteristics, the long-stroke DCX3 is a single-acting valve (or double-acting, if necessary) with an extended actuator and plug. A "tank bottom" version is also available.



DCX3 bellows changeover valve

This is a specially designed valve that uses metal bellows in place of a plastomer diaphragm.

(Please consult us regarding this type of application).

DCX3 - DCX4 changeover valves options

ITDFX101 GB - REV 1 - MAY 2002

Automated DCX3 - DCX4 diaphragm changeover valves working conditions

SMS	DN		Max. working pressure (Bar)	Vacuum resistance (cm ³ /s)	Pressure drop (Kv)	Pressure drop (Cv)	Sealing pressure (Bar)	Opening time (s)	Air consumption (NI)
	DIN	US							
25	25	1"	6	0,4	21	24,36	8	1,3	0,5
	25		6	0,4	24	27,84	8	1,3	0,5
	32		6	0,4	36	41,76	8	1,3	0,5
38	40	1"1/2	6	0,4	42	48,72	8	1,3	0,5
	40		6	0,4	44	51,04	8	1,3	0,5
51	50	2"	6	0,4	82	95,12	8	2,5	1
	50		6	0,4	85	98,6	8	2,5	1
63	65	2" 1/2	6	0,4	128	148,48	8	6	3,5
	65		6	0,4	142	164,72	8	6,4	3,5
76	80	3"	6	0,4	170	197,2	8	6,6	3,5
	80		6	0,4	190	220,4	8	11	8
104	100	4"	6	0,4	290	336,4	8	13	8

FOR ALL DIAMETERS OF DCX3 - DCX4 DIAPHRAGM CHANGEOVER VALVES

Maximum temperature: +140 °C	Minimum temperature: +2 °C	Temperature difference: 100 °C
Maximum supply pressure: 8 Bar	Minimum supply pressure: 4,5 Bar	

DCX3 - DCX4 changeover valves options



Automated DCX3 - DCX4 elastomer sealing changeover valves working conditions

SMS	DN		Max. working pressure (Bar)	Vacuum resistance (cm ³ /s)	Pressure drop (Kv)	Pressure drop (Cv)	Sealing pressure (Bar)	Opening time (s)	Air consumption (NI)
	DIN	US							
25	25	1"	6	0,3	21	24,36	8	1,5	1
	25		6	0,3	24	27,84	8	1,5	1
	32		6	0,3	36	41,76	8	1,5	1
38		1"1/2	6	0,3	42	48,72	8	1,5	1
	40		6	0,3	44	51,04	8	1,5	1
51		2"	6	0,3	82	95,12	8	3	2
	50		6	0,3	85	98,6	8	3	2
63		2" 1/2	6	0,3	128	148,48	8	6,6	5
	65		6	0,3	142	164,72	8	7	5
76		3"	6	0,3	170	197,2	8	7,2	5
	80		6	0,3	190	220,4	8	12	9
104		4"	6	0,3	290	336,4	8	14,4	9

FOR ALL DIAMETERS OF DCX3 - DCX4 ELASTOMER SEALING CHANGEOVER VALVES

Maximum temperature: +120 °C	Minimum temperature: 0 °C	Temperature difference: 100 °C
Maximum supply pressure: 8 Bar	Minimum supply pressure: 4,5 Bar	



DCX3 - DCX4 changeover valves options

ITDFX101 GB - REV 1 - MAY 2002



Automated DCX3 - DCX4 changeover valves with aseptic guide bearing working conditions

DN		Max. working pressure (Bar)	Vacuum resistance (cm ³ /s)	Pressure drop (kV)	Pressure drop (Cv)	Sealing pressure (Bar)	Opening time (s)	Air consumption (NI)
SMS	DIN							
25	25	6	0,4	21	24,36	8	1,5	1
	32	6	0,4	24	27,84	8	1,5	1
	40	6	0,4	36	41,76	8	1,5	1
38		6	0,4	42	48,72	8	1,5	1
	50	6	0,4	44	51,04	8	1,5	1
51		6	0,4	82	95,12	8	3	2
	63	6	0,4	85	98,6	8	3	2
	76	6	0,4	128	148,48	8	6,6	5
	104	6	0,4	142	164,72	8	7	5
		6	0,4	170	197,2	8	7,2	5
		6	0,4	190	220,4	8	12	9
		6	0,4	290	336,4	8	14,4	9

FOR ALL DIAMETERS OF DCX3 - DCX4 CHANGEOVER VALVES WITH ASEPTIC GUIDE BEARING

Maximum temperature: +140 °C	Minimum temperature: -5 °C	Temperature difference: 120 °C
Maximum supply pressure: 8 Bar	Minimum supply pressure: 4,5 Bar	

DCX3 - DCX4 changeover valves options



DCX3 changeover valve metal/metal sealing working conditions

SMS	DN		Max. working pressure (Bar)	Vacuum resistance (cm ³ /s)	Pressure drop (Kv)	Pressure drop (Cv)	Sealing pressure (Bar)	Opening time (s)	Air consumption (NI)
	DIN	US							
25	25	1"	6	0,7	21	24,36	8	1,5	1
	32		6	0,7	24	27,84	8	1,5	1
			6	0,7	36	41,76	8	1,5	1
38		1" 1/2	6	0,7	42	48,72	8	1,5	1
	40		6	0,7	44	51,04	8	1,5	1
51		2"	6	0,7	82	95,12	8	3	2
	50		6	0,7	85	98,6	8	3	2
63		2" 1/2	6	0,7	128	148,48	8	6,6	5
	65		6	0,7	142	164,72	8	7	5
76		3"	6	0,7	170	197,2	8	7,2	5
	80		6	0,7	190	220,4	8	12	9
104	100	4"	6	0,7	290	336,4	8	14,4	9

FOR ALL DIAMETERS OF DCX3 CHANGEOVER VALVES METAL/METAL SEALING

Maximum temperature: +140 °C	Minimum temperature: -5 °C	Temperature difference: 140 °C
Maximum supply pressure: 8 Bar	Minimum supply pressure: 4,5 Bar	