

Standard signal back equipment suitable for VDCI - VDCI SP mixproof valves

Model	Signal back equipment & Fixing device	Components						Remarks
		Switch or Contact		Solenoid valve		Electronic		
		Reference	Characteristics	Reference	Characteristics	Reference	Characteristics	
Bracket	M18 switch on lantern (M 12 on request)	7007906	PNP 10 - 36 V DC		None		None	1 or 2 switch(es) assembled Moulded cable- lg 6 m
		7007911	20 - 250 V AC/DC					
		7007949 (M12)	PNP 10 - 36 V DC					
Classic control unit	Figure 4 Ø 130 control unit H: 120 fixed on the actuator st. st. or smoked housing for switches and 1 solenoid valve.	7007922	PNP 10 - 36 V DC	7007943	24 V AC/DC 2,5 W		None	1 or 2 switch(es) assembled as well as 1 solenoid valve 3/2
		7007930	20 - 250 V AC/DC	7007944	48 V AC/DC 2,5 W			
		7007991	NAMUR	7007947	110 V AC 2,5 VA			
				7007948	220 V AC 2,5 VA			
Classic control unit sale stopped	Figure 9 Ø 130 control unit H: 120 fixed on the actuator st. st. or smoked housing for switches and 1 to 3 solenoid valve(s).	7007922	PNP 10 - 36 V DC	7009018	24 V DC*		None	1 or 2 switch(es) assembled as well as 1 to 3 solenoid valve(s)
		7007930	20 - 250 V AC/DC	7009020	24 V DC			
				7009023	48 V AC			
				7009024	110 V AC			
Classic control unit sale stopped	Figure 8 Ø 170 control unit H: 230 fixed on the actuator st. st. or smoked housing for switches and 1 to 3 solenoid valve(s).	7007922	PNP 10 - 36 V DC	7007952	Pneumatic interface		None	1 or 2 switch(es) assembled as well as 1 to 3 pneumatic modules
		7007930	20 - 250 V AC/DC	7007953	24 V DC			
				7007958	24 V AC			
				7008969	48 V AC			
				7008919	110 V AC			
DN 130 control unit AS-i link	Figure 8 Ø 130 control unit H: 110 fixed on the actuator st. st. or smoked housing for switches, 1 solenoid valve and AS-I module	7008045	Prismatic switch	7810504	Pilot & Interface	7707999	AS-i module with link cable and vampire connector	1 or 2 switch(es) assembled and 1 solenoid valve
				7007952		7010015		
	Figure 10 Ø130 control unit H: 110 fixed on the actuator st. st. or smoked housing for switches, 2 to 3 solenoid valves & AS- i module	7008045	Prismatic switch 10 - 36 V DC	7009018	24 V DC*	7708001	AS-i module with link cable and vampire connector	1 or 2 switch(es) assembled as well as 2 to 3 solenoid valve(s)
				7009020	24 V DC	7010015		

* Lockable
(main actuator)

Standard signal back equipment suitable for VDCI - VDCI SP mixproof valves

Photos and drawings of the figures mentioned on the data sheet



Fig. 4: Ø 130 control unit



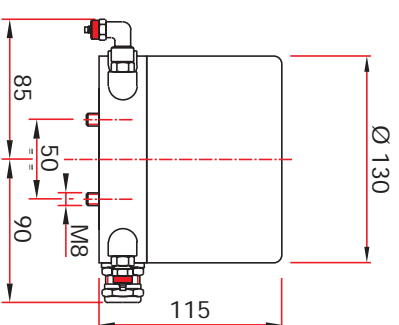
Fig. 8: Ø 130 control unit



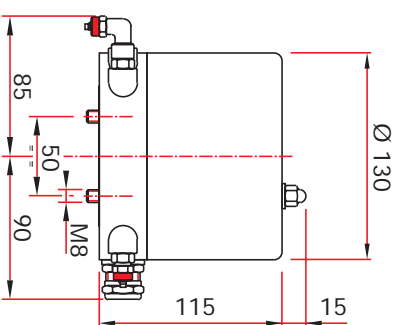
Fig. 9: Ø 130 control unit



Fig. 10: Ø 130 control unit



Ø 130 standard control unit smoked housing



Ø 130 standard control unit st. st. housing

Standard signal back equipment suitable for VDCI FdC tank bottom mixproof valves

Photos and drawings of the figures mentioned on the data sheet



Classic control box



AS-i link



Model	Signal back equipment & Fixing device	Components						Remarks
		Switch or Contact		Solenoid valve		Electronic		
		Reference	Characteristics	Reference	Characteristics	Reference	Characteristics	
Classic control unit	M18 switch on lantern (M 12 on request) Solenoid valve in a separate plastic or stainless steel box	7007906 7007911	PNP 10 - 36 V DC 20 - 250 V AC/DC PNP 10 - 36 V DC	7007952 7007953 7007958 7008969 7008919	Pneumatic interface 24 V DC 24 V AC 48 V AC 110 V AC		None	Cabinet on wall or fixed onto the valve, 1 or 2 switch(es) assembled, as well as 1 to 3 pneumatic modules
AS-i link	M18 switch on lantern (M 12 on request) Solenoid valve in a separate plastic or stainless steel box	7007906 7007949 (M12)	PNP 10 - 36 V DC PNP 10 - 36 V DC	7008094 7008095	AS-i airbox Base for AS-i module		AS-i module with gland for AS-i cable	Cabinet on wall or fixed onto the valve, 1 or 3 solenoid valves assembled. Pneumatic links between actuators and cabinet

VDCI mixproof valve signal back equipment

The choice of signal back equipment depends on the functions to be performed.

Remarks regarding the standard signal back equipment

1 - On request, we can fit Eex microcontacts or Namur pneumatic switches in control units for explosive environments.

2 - Specific detection devices can be studied (lantern detection).

3 - The supply of a control unit includes the entry gland, wiring to the electric components terminal strip and the 4/6 or 6/8 (DN 80 to DN 150) pneumatic hose from the unit to the actuator.

4 - Standard signal-back equipment can also be complemented by the following accessories:

- rapid air release
- stainless steel or semi-rigid wiring
- stainless steel air connection
- etc...

Note : The VDCI leak free opening type and the VDCI 3 bodies are like the standard one.

AS-i network

The AS-i network provides a reliable, cost-effective valve networking solution.

An AS-i module installed in each of the signal back units allows the control of all pneumatic functions

on DEFINOX valves (valve opening and closing, stroke of the plugs...) and read the information sent by the opening and closing sensors, via the AS-i network.

Advantages of the AS-i network

- Open standard.
- Quick and easy to install and put into operation.
- Quick to wire up due to the use of "vampire" connectors and a non-shielded two-core cable.
- Free topology.
- Several AS-i masters available (PLC couplers or Profibus-DP, Device-Net, Interbus-S, WorldFip, Modbus, Modbus-Plus or other gateways).
- Max. 62 nodes on AS-i network distributed over 100 m of cable (300 m with repeaters).
- Cycle time : approx. 5ms for 31 nodes and 10 ms for 62 nodes.
- Transmission error control mechanisms.
- Extension possibilities.

